



**Integrated  
Control  
Systems**

# PRODUCT CATALOG



**Bowser  
Kerosene  
Pump**  
Approx 1885



**Gilbert & Barker  
Self Measuring  
Gas Pump**  
Approx 1911



**Gilbarco  
Previsible Curbside  
Handcrank Pump**  
Approx 1920



**American Oil  
Visible Handcrank  
Gas Pump**  
Approx 1930



**Wayne Clock Meter  
Gas Station Pump**  
Approx 1932



**Waynes Gas  
Station Pump**  
Approx 1940-50



## PA2 Pulse Analyzer

- A specialized troubleshooting tool for the petroleum service technician. The Pulse Analyzer saves time and trouble by quickly and accurately finding the cause of a pulser problem with any console or card system. The PA2 replaces the previous model PA1 Pulse Analyzer. It provides more features at the same price.



- Tests most any type of pulser to quickly determine the problem
- Measures pulse voltage to detect low voltage problems. *(new)*
- Measures pulse duty cycle and frequency to detect pulse problems. *(new)*
- Selectable pulser type for accurate count testing
- Emulates a pulser output to test the input circuit of a console or card system
- Selectable pulse output count and speed for accurate card system or console testing. *(new)*
- Built in self test function. *(new)*
- Rugged, watertight enclosure
- Test leads included

### SPECIFICATIONS

General		Electrical	
Operating Modes:	Contact Closure test, In-Circuit test, Pulse Output	Max. pulse input speed:	100 pulses/sec (Mechanical mode) 1000 pulses/sec (Electronic mode) 10000 pulses/sec (Unlimited mode)
Display:	2x16 Character LCD	Pulse out volts:	0 to 300V DC
Test Leads:	3 ft. w/alligator clips	Power Source:	9V Transistor Battery
Enclosure:	6" x 4.75" x 2.25" weather sealed with hinged lid and latch		

### MODEL NUMBERS

Model Number:	Description:
PA2	Pulse Analyzer w/leads & manual

**Integrated Control Systems Inc.**  
 1425 American Way, Cedar Hill, TX. 75104  
 Voice: (972) 291-6064  
 Fax: (972) 291-5975  
[www.intconsys.com](http://www.intconsys.com)

For more information, please visit our website at:

[WWW.INTCONSYS.COM](http://WWW.INTCONSYS.COM)

## SP1 Smart Pulser

- The SP1 Smart Pulser was designed to fit any Veeder-Root™ computer, so stocking multiple pulser models is unnecessary. The SP1 was designed to be very durable, and contains special circuitry which makes it more accurate than any other pulser on the market.



### ALL METAL Construction!

- Cast aluminum housing. (No plastic!)
- Machined aluminum coupling shaft. (No more breakage!)
- Stainless Steel encoder wheel is impervious to the elements.
- Dual bearing construction promotes long pulser life.
- Microprocessor controlled direction sensing eliminates over-counts due to pump vibration or meter backlash.
- Configuration setting made in pulser head for easy access.
- Intrinsically safe circuitry, no conduit required!
- Environmentally coated circuitry eliminates moisture problems.
- Heavily filtered power supply eliminates noise problems.
- Extended temperature operation. (-40 to 150 degrees F)
- Compatible with ALL Veeder Root mechanical computers (101, 2001, 2002, 2002E, VR-10, VR-10/4) for money or gallons.
- Small size allows mounting where other pulsers cannot.
- 12VDC and 120VAC models available.
- Dual output model available.
- 2 year warranty

### SPECIFICATIONS

	Input (Black Wires)	Output (Red Wires)	
Operating Voltage:	12VDC (SP1-12-SO) or (SP1-12-DO) 110VAC (SP1-110-SO) or (SP1-110-DO)	Switching Voltage:	5 to 350 Volts AC or DC
Operating Temperature Range:	-40 to 150 degrees F.	Maximum Current	300mA
Maximum Speed:	240 RPM	ON Resistance	23-35 Ohms

### MODEL NUMBERS

Model Number:	Description:
SP1-12-SO	12VDC Single Output
SP1-12-DO	12VDC Dual Output
SP1-110-SO	110VAC Single Output
SP1-110-DO	110VAC Dual Output

### Integrated Control Systems Inc.

1425 American Way, Cedar Hill, TX. 75104

Voice: (972) 291-6064

Fax: (972) 291-5975

[WWW.INTCONSYS.COM](http://WWW.INTCONSYS.COM)

For more information, please visit our website at:

[WWW.INTCONSYS.COM](http://WWW.INTCONSYS.COM)

## MR1 Pulsar

- The MR1 Pulsar was designed to fit all FillRite, Dresser Wayne 700R, and GPI MR 5-30 meter-registers. The MR1 contains a digital pulse filter, which eliminates overcounting due to vibration.



- Fits ALL variations of the Fill Rite 800 or 900 register!
- Fits the Dresser Wayne model 700R meter-registers!
- Fits the new GPI model MR-5-30 Register!
- 10 pulses per gallon output, no configuration required.
- Digital pulse filtering eliminates overcounts.
- Simple bolt on installation.
- Intrinsically safe circuitry, no conduit required!
- Environmentally coated circuitry eliminates moisture problems.
- Heavily filtered power supply eliminates noise problems.
- Extended temperature operation. (-40 to 150 degrees F)
- 12VDC and 110VAC models available.
- Dual output model available.
- 2 year warranty



### SPECIFICATIONS

Input (Black Wires)		Output (Red Wires)	
Operating Voltage:	12VDC (MR1-12-SO) or (MR1-12-DO) 110VAC (MR1-110-SO) or (MR1-110-DO)	Switching Voltage:	5 to 350 Volts AC or DC
Operating Temperature Range:	-40 to 150 degrees F.	Maximum Current	300mA
Maximum Speed:	50 GPM	ON Resistance	23-35 Ohms

### MODEL NUMBERS

Model Number:	Description:
MR1-12-SO	12VDC Single Output
MR1-12-DO	12VDC Dual Output
MR1-110-SO	110VAC Single Output
MR1-110-DO	110VAC Dual Output

### Integrated Control Systems Inc.

1425 American Way, Cedar Hill, TX. 75104

Voice: (972) 291-6064

Fax: (972) 291-5975

[WWW.INTCONSYS.COM](http://WWW.INTCONSYS.COM)

For more information, please visit our website at:

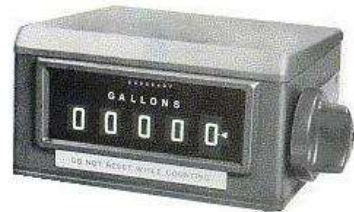
[WWW.INTCONSYS.COM](http://WWW.INTCONSYS.COM)

## VR1 Pulser

- The VR1 Pulser was designed to fit the Veeder Root® model 7886 or 7887 meter-registers. It contains the same direction sensing technology as our SP1 pulser, which eliminates pulse errors due to vibration or meter backlash. The VR1 pulser brings electronic pump accuracy to commercial fueling.



- Fits both 7886 and 7887 meter-registers.
- Fits inside existing meter-register cabinet for easy installation.
- Generates either 1, 10, or 100 pulses per gallon.
- Microprocessor controlled direction sensing eliminates over-counts due to pump vibration or meter backlash.
- Up to 2500 gallons/minute on 7886 and 250 gallons/minute on 7887.
- Machined aluminum coupling shaft.
- Stainless Steel encoder wheel is impervious to the elements.
- Dual bearing construction promotes long pulser life.
- Configuration setting made in pulser head for easy access.
- Intrinsically safe circuitry, no conduit required!
- Environmentally coated circuitry eliminates moisture problems.
- Heavily filtered power supply eliminates noise problems.
- Extended temperature operation. (-40 to 150 degrees F)
- 12VDC and 120VAC models available.
- Dual output model available.
- 2 year warranty



### SPECIFICATIONS

	Input (Black Wires)	Output (Red Wires)	
Operating Voltage:	12VDC (VR1-12-SO) or (VR1-12-DO) 110VAC (VR1-110-SO) or (VR1-110-DO)	Switching Voltage:	5 to 350 Volts AC or DC
Operating Temperature Range:	-40 to 150 degrees F.	Maximum Current	300mA
Maximum Speed:	250 RPM	ON Resistance	23-35 Ohms

### MODEL NUMBERS

Model Number:	Description:
VR1-12-SO	12VDC Single Output
VR1-12-DO	12VDC Dual Output
VR1-110-SO	110VAC Single Output
VR1-110-DO	110VAC Dual Output

### Integrated Control Systems Inc.

1425 American Way, Cedar Hill, TX. 75104

Voice: (972) 291-6064

Fax: (972) 291-5975

[WWW.INTCONSYS.COM](http://WWW.INTCONSYS.COM)

For more information, please visit our website at:

[WWW.INTCONSYS.COM](http://WWW.INTCONSYS.COM)

## GPI2 Pulser

- The GPI2 Pulser is designed to fit the GPI M30 meter-registers. The GPI2 contains direction sensing technology to eliminate extra pulses due to vibrations or gear-play.



- Fits GPI M30 meter-registers.
- 10 pulses per gallon output, no configuration required.
- Direction sensing and digital filtering eliminates overcounts.
- Pulser mounting allows the register to be attached in any orientation.
- Intrinsically safe circuitry, no conduit required!
- Environmentally coated circuitry eliminates moisture problems.
- Heavily filtered power supply eliminates noise problems.
- Extended temperature operation. (-40 to 150 degrees F)
- 12VDC and 110VAC models availal
- Dual output model available.
- 2 year warranty



### SPECIFICATIONS

	Input (Black Wires)		Output (Red Wires)
Operating Voltage:	12VDC (GPI2-12-SO) or (GPI2-12-DO) 110VAC (GPI2-110-SO) or (GPI2-110-DO)	Switching Voltage:	5 to 350 Volts AC or DC
Operating Temperature Range:	-40 to 150 degrees F.	Maximum Current	300mA
Maximum Speed:	30 GPM	ON Resistance	23-35 Ohms

### MODEL NUMBERS

Model Number:	Description:
GPI2-12-SO	12VDC Single Output
GPI2-12-DO	12VDC Dual Output
GPI2-110-SO	110VAC Single Output
GPI2-110-DO	110VAC Dual Output

### Integrated Control Systems Inc.

1425 American Way, Cedar Hill, TX. 75104

Voice: (972) 291-6064

Fax: (972) 291-5975

[www.intconsys.com](http://www.intconsys.com)

For more information, please visit our website at:

[WWW.INTCONSYS.COM](http://WWW.INTCONSYS.COM)

# LA1 Tank Level Alarm

- A durable, cost-effective solution for sensing liquid levels with either 2 or 4 channels.
- Use as replacement for other brands, compatible with most other brands of probes. Compare the LA1 features and pricing to any other level alarm on the market.



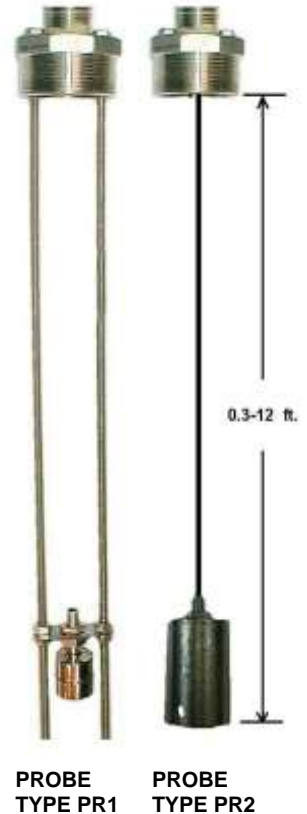
**ALARM UNIT  
(4 Channel Shown)**

### ALARM UNIT FEATURES

- CNC machined cast aluminum NEMA-4 cabinet
- Lithium battery powered for up to 10 years of trouble-free operation. (*Batteries are easily available, not specialty*)
- Optional intrinsically safe AC power barrier with external annunciator and/or valve switching outputs.
- Draws zero power when idle for maximum battery life
- Probes are always monitored, even when unit is asleep
- Can be used for high level, low level, interstitial space, sump, or many other applications
- 95db audible alarm
- High brightness, sunlight readable indicators
- Low battery indicator
- Stainless steel pushbutton for maximum reliability
- Available with either 2 or 4 probe channels
- Intrinsically safe operation (*Complies with ANSI / UL 913, Class 1, Div. 1&2, Group C and D operation*)

### PROBE FEATURES

- All stainless steel probe hardware and level sensors
- Teflon wire insures maximum resistance to chemicals
- Probes are available with single or multiple switches for high level, low level, or interstitial space sensing
- Switch trigger points are easily adjustable in the field
- Probes can be ordered in 3, 6, 9, or 12 foot lengths
- PR2 probe available for interstitial space or sump sensing
- Fits a standard 2" tank bung



### SPECIFICATIONS

ALARM UNIT		PROBE	
Materials:	Heavy Duty Cast Aluminum 316 stainless steel hardware 304 Stainless steel pushbutton Polyester overlay	Materials:	Probe: 304, 316, 18-8 stainless steel Tank Fitting: 304 Stainless Steel Conduit Fitting: 304 Stainless Steel Wire: Teflon
Hardware:	Stainless Steel	Rating:	10A@120VAC or 6A@240VAC
Classification:	NEMA 4X – weather sealed	MTBF:	10,000 Operations
Temperature:	-20 to 150F	Temperature	-20 to 150F
Case Size:	4.5" x 3.5" x 1.25"		

### MODEL NUMBERS

Model Number:	Description:
LA1-AU-2C	LA1, Battery powered, 2 channel
LA1-AU-4C	LA1, Battery powered, 4 channel
LA1-PR1-1S-3F	Probe, single switch, 3 foot length
LA1-PR1-1S-6F	Probe, single switch, 6 foot length
LA1-PR1-1S-9F	Probe, single switch, 9 foot length
LA1-PR1-1S-12F	Probe, single switch, 12 foot length
LA1-PR1-2S-3F	Probe, double switch, 3 foot length
LA1-PR1-2S-6F	Probe, double switch, 6 foot length
LA1-PR1-2S-9F	Probe, double switch, 9 foot length
LA1-PR1-2S-12F	Probe, double switch, 12 foot length
LA1-PR2	Probe, single switch, Shielded, 12 foot wire
LA1-VCB	AC Power Barrier with 4 external outputs

**Integrated Control Systems Inc.**  
 1425 American Way, Cedar Hill, TX. 75104  
 Voice: (972) 291-6064  
 Fax: (972) 291-5975  
[www.intconsys.com](http://www.intconsys.com)

For more information, please visit our website at:

[WWW.INTCONSYS.COM](http://WWW.INTCONSYS.COM)

# LA1 AC Power Supply with Alarm Outputs

- The LA1 AC Power supply operates the LA1 level alarm on 120 or 240 volts AC. The batteries act as a backup power supply in case of power failure. It also has 4 internal solid state relays to switch external loads such as an annunciator alarm or solenoid valves. The outputs can be set to trigger on individual float switches, or on any alarm trigger.



## AC POWER SUPPLY FEATURES

- Operates the LA1 on AC power for reliable continuous operation
- Batteries now operate as a backup in case of AC power failure
- LA1 alarm unit remains intrinsically safe
- 4 Output wires switch AC Hot to external annunciators, valves, etc.
- Outputs 1, 2, and 3 trigger on each probe channel
- Output 4 can be set to trigger on probe channel, or on any alarm trigger
- Intrinsically safe operation (*Complies with ANSI / UL 913, Class 1, Div. 1&2, Group C and D operation*)
- 2 YEAR WARRANTY

SPECIFICATIONS	
Materials:	3/4" Galvanized Rigid Conduit
Input Voltage:	90 to 260 volts AC
Current Draw:	0.25 Amps @ 120VAC + Current load per output
Output Voltage:	9 Volts DC (Intrinsically safe, current limited)
Operating Temp.	-40 to 150F
Output Switching Voltage	600 Volts AC Max
Output Switching Current	1 Amp Max per channel

PART NUMBERS	
Model Number:	Description:
LA1-ACB-4C	LA1 AC Power Supply W/4 alarm outputs



**Integrated Control Systems Inc.**  
 1425 American Way, Cedar Hill, TX. 75104  
 PH: (972) 291-6064  
 FAX: (972) 291-5975  
[WWW.INTCONSYS.COM](http://WWW.INTCONSYS.COM)

For more information, please visit our website at:  
[WWW.INTCONSYS.COM](http://WWW.INTCONSYS.COM)



## LA1 External Annunciator

- The LA1 External annunciator contains a very loud 119db alarm and a bright red Xenon tube flasher to get attention in the event of an alarm condition. The annunciator is controlled by any output of the LA1 AC Power Supply.



### EXTERNAL ANNUNCIATOR FEATURES

- 119 dB super loud audible alarm
- Xenon flash tube bright visual alarm beacon
- Super durable NEMA-4X cast aluminum CNC machined enclosure
- Stainless steel mounting hardware
- Operates on 110 or 220 volts AC
- Can be mounted anywhere outside the intrinsically safe area
- Controlled by any output of the LA1 AC power supply
- 2 YEAR WARRANTY

### SPECIFICATIONS

SPECIFICATIONS	
Materials:	Heavy Duty Cast Aluminum 316 stainless steel hardware
Input Voltage:	90 to 260 volts AC
Current Draw:	0.25 Amps @ 120VAC
Operating Temp.	-40 to 150F
Siren Output Volume	119dB @ 10 ft.
Visual Indicator	Xenon flash tube with red lens
Conduit Connection	3/4" Threaded conduit fitting
Cabinet Dimensions	10.24h x 6.3w x 3.56d
Overall dimensions	10.24h x 6.3w x 7.5d

### PART NUMBERS

Model Number:	Description:
LA1-EXA-110	LA1 External Annunciator, 110vac



**Integrated Control Systems Inc.**  
 1425 American Way, Cedar Hill, TX. 75104  
 PH: (972) 291-6064  
 FAX: (972) 291-5975  
[WWW.INTCONSYS.COM](http://WWW.INTCONSYS.COM)

For more information, please visit our website at:

[WWW.INTCONSYS.COM](http://WWW.INTCONSYS.COM)

## Alarm Acknowledgement Switch

- The LA1 acknowledgement switch is used with any brand of tank alarm source and an external annunciator. During an alarm condition, it allows the operator to silence the alarm for the duration of the alarm condition. A test button also allows the operator to



### ACKNOWLEDGEMENT SWITCH FEATURES

- Allows testing and silencing of alarms with any brand of tank monitor or tank alarm
- Acknowledged light indicates when the alarm has been silenced
- Automatically resets when alarm condition stops
- Weatherproof switches and indicator
- LED indicator for long life operation
- CNC machined NEMA-4X weatherproof aluminum cabinet will never rust or fade
- Paint filled CNC engraved lettering for outdoor durability
- Stainless steel hardware
- Threaded conduit fitting included
- 2 YEAR WARRANTY

SPECIFICATIONS	
Cabinet Type:	NEMA-4X weatherproof
Cabinet Materials:	Cast aluminum with stainless steel hardware
Operating Voltage:	90 to 150 volts AC
Max. Load Current:	30 Amps AC
Operating Temp:	-40 to 150F
Cabinet Dimensions:	5.83 X 4.25 X 2.95 inches

PART NUMBERS	
Model Number:	Description:
LA1-ASW-110	Acknowledgement switch 110 VAC

**Integrated Control Systems Inc.**  
1425 American Way, Cedar Hill, TX. 75104  
PH: (972) 291-6064  
FAX: (972) 291-5975  
[WWW.INTCONSYS.COM](http://WWW.INTCONSYS.COM)

For more information, please visit our website at:

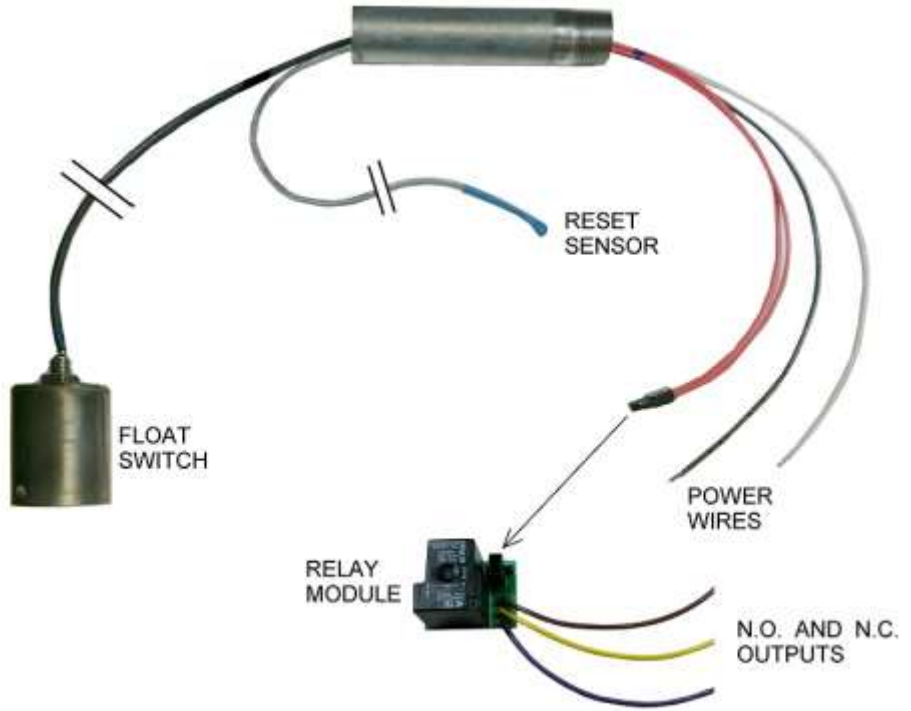
[WWW.INTCONSYS.COM](http://WWW.INTCONSYS.COM)

# SD1 Safety Disconnect

- The SD1 Safety Disconnect provides extra fuel site protection by automatically disconnecting power from a pump or dispenser in the event of a leak. It can also be used to drive an external light or alarm to indicate the source of a problem. Install an SD1 in each dispenser and submersible pump for maximum safety and peace of mind.

## FEATURES

- Automatically stops fueling in the event of liquid detection
- Mounts into dispenser or turbine pump sump
- Reset switch allows manual reset after problem is corrected
- All stainless steel float switch assembly
- Also available with dual output relays
- Mounts into existing junction box or light box. (3/4" conduit opening required)
- 1 normally closed and 1 normally open contacts. (30 amps per contact)
- Operates from 110VAC or 220VAC
- Intrinsically safe operation  
(Complies with ANSI / UL 913, Class 1, Div. 1&2, Group C and D operation)
- 2 YEAR WARRANTY



## SPECIFICATIONS

Operating Voltage:	90 VAC to 260 VAC
Operating Temperature Range:	-40 to 150 degrees F.
Current Draw:	< 0.25A @ 120 VAC
Relay Type	SPDT
Relay Current Rating	30 Amps @ 120VAC
Temperature Trigger Point	200 Degrees F
Operating Voltage:	90 VAC to 260 VAC
Operating Temperature Range:	-40 to 150 degrees F.
Current Draw:	< 0.25A @ 120 VAC



**Integrated Control Systems Inc.**  
 1425 American Way, Cedar Hill, TX. 75104  
 PH: (972) 291-6064  
 FAX: (972) 291-5975  
[WWW.INTCONSYS.COM](http://WWW.INTCONSYS.COM)

## PART NUMBERS

Model Number:	Description:
SD1-SP	Safety Disconnect, Single Pole Output
SD1-DP	Safety Disconnect, Double Pole Output

For more information, please visit our website at:

[WWW.INTCONSYS.COM](http://WWW.INTCONSYS.COM)

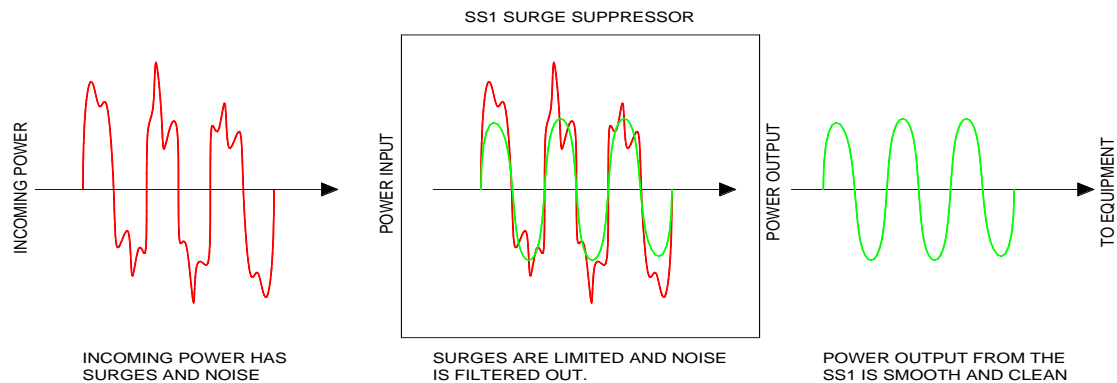
## SS1 Surge Suppressor / Power Line Filter

- Petroleum electronics like Card Systems, Tank Monitoring Systems, and Consoles have unique power problems. Long runs of field wiring, connection with inductive loads, and noisy power sources contribute to problems with equipment. The SS1 Surge Suppressor was designed specifically for petroleum equipment applications. It contains 7 stages of surge suppression and power line filtering to block spikes and only allow smooth continuous power to the equipment.



COVER REMOVED TO SHOW COMPONENTS

**BEWARE:** Most units sold as surge suppressors employ only the cheapest and slowest devices to protect your equipment. The SS1 is a serious surge suppressor with the latest technology suppression devices and 7 stages of protection. It reacts to surges instantly, and can dissipate up to 10,000 Amps of surge current!



### SPECIFICATIONS

Voltage Rating:	120VAC Nominal, 135VAC Max.	Suppressor Type:	Series Connected
Max Load Current:	7 Amps Continuous	Capacitance	0.1 $\mu$ F input to input
Max Discharge Current	10,000 Amps, 20 $\mu$ S Impulse 50 Amps RMS	Inductance	68 to 100 mH Input to Output
Case Size:	3.3" x 3.3" x 1.25"		

### MODEL NUMBERS

Model Number:	Description:
SS1-ST	SS1 Suppressor with screw terminals
SS1-PL	SS1 Suppressor with plug and outlet

**Integrated Control Systems Inc.**  
 1425 American Way, Cedar Hill, TX. 75104  
 Voice: (972) 291-6064  
 Fax: (972) 291-5975  
[WWW.INTCONSYS.COM](http://WWW.INTCONSYS.COM)

For more information, please visit our website at:

[WWW.INTCONSYS.COM](http://WWW.INTCONSYS.COM)

## ES1 Emergency Pump Stop Switch

- An emergency stop switch is required by electrical code to shut off all fueling operations in the event of an emergency. (NFPA 30a, CH4, Section 4-1.2)



The ES1 switch is designed to fulfill the NFPA code requirements. It uses a heavy cast aluminum, weather sealed, NEMA 4X enclosure with stainless steel hardware. The switch is a large (40mm) red, single or double pole, 10 amp normally closed unit. The ES1 has a highly visible, bright yellow sign on the front panel for easy identification in an emergency. All components of the ES1 are UL listed.

### SPECIFICATIONS

CABINET		SWITCH	
Material:	Heavy Duty Cast Aluminum	Type:	Normally Closed SPST or DPST
Hardware:	Stainless Steel	Rating:	10A@120VAC or 6A@240VAC
Classification:	NEMA 4X – weather sealed	MTBF:	10,000 Operations
Listings:	UL (US and Canada)	Listings:	UL (US & Canada) CE
Case Size:	4.5" x 3.5" x 1.25"		

### MODEL NUMBERS

Model Number:	Description:
ES1-SP	ES1 with single pole switch
ES1-DP	ES1 with double pole switch

**Integrated Control Systems Inc.**  
1425 American Way, Cedar Hill, TX. 75104  
Voice: (972) 291-6064  
Fax: (972) 291-5975  
[WWW.INTCONSYS.COM](http://WWW.INTCONSYS.COM)

For more information, please visit our website at:

[WWW.INTCONSYS.COM](http://WWW.INTCONSYS.COM)

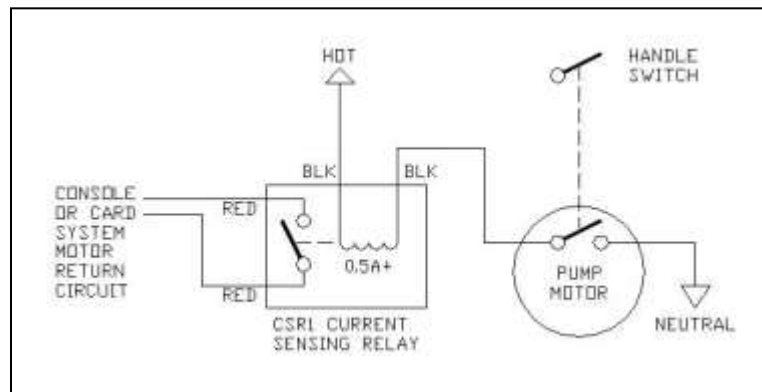
## CSR1 Current Sensing Relay

- The CSR1 current sensing relay is designed to operate in fuel pumps with sealed switch motors, which do not contain an extra switch contact for use with a console or card system.



The CSR1 is designed to be wired in series with the pump motor. (black wires) When the pump motor activates and draws more than 0.5 amps, the CSR1 switches the red wires together, providing a motor return signal for a console or card system. The CSR1 can be located either in the pump, or in the console or card system cabinet.

Typical Wiring



### SPECIFICATIONS

Input (Black Wires)		Output (Red Wires)	
Voltage:	110VAC or 220VAC	Switching Voltage:	5 to 350 Volts AC or DC
Minimum trigger current:	0.5A	Maximum Current	300mA
Maximum Current:	10A	ON Resistance	23-35 Ohms
Switching Time:	1mS		
Case Size:	3" x 1.5" x 1"		

### MODEL NUMBERS

Model Number:	Description:
CSR1	CSR1 Current Sensing Relay

**Integrated Control Systems Inc.**  
 1425 American Way, Cedar Hill, TX. 75104  
 Voice: (972) 291-6064  
 Fax: (972) 291-5975  
[WWW.INTCONSYS.COM](http://WWW.INTCONSYS.COM)

For more information, please visit our website at:

[WWW.INTCONSYS.COM](http://WWW.INTCONSYS.COM)

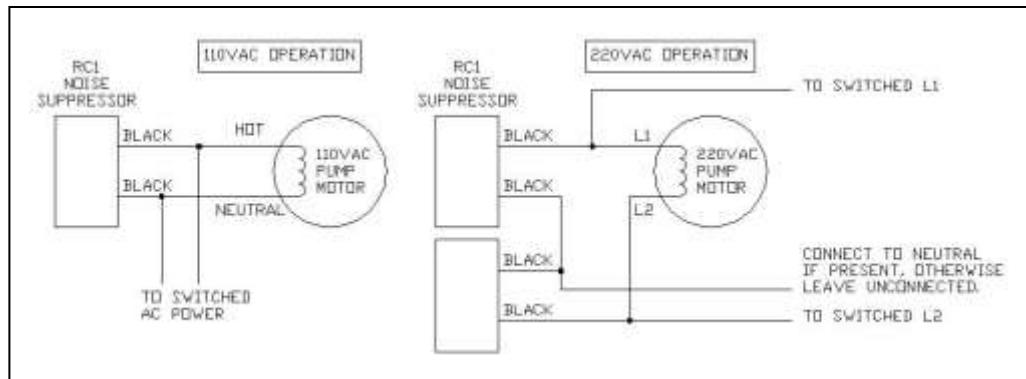
## RC1 Noise Suppressor

- The RC1 Noise Suppressor is designed to eliminate noise caused by switching of inductive loads. Pump motors, solenoid valves, motor contactors, and other inductive loads cause high voltage spikes on the AC line when they are switched on or off. The RC1 eliminates these spikes at the source, preventing them from affecting sensitive equipment.



Connect the RC1 directly across the hot and neutral wires of the load, as close as possible to the coil or motor winding. This will allow the RC1 to filter the inductive noise before it travels to other devices. For best results, install one RC1 on each suction motor, solenoid valve, and motor contactor at the site. The RC1 is constructed as small as possible to allow it to be mounted inside the junction box of the dispenser.

Typical Wiring



### SPECIFICATIONS

Input (Black Wires)	
Voltage:	250 Vmax
Internal Capacitance:	0.1uF
Internal Resistance:	68 Ω
Dimensions:	1.0 x 0.6 x 0.4 Inches
Wire Length:	5 Inches

### MODEL NUMBERS

Model Number:	Description:
RC1	RC1 Noise Suppressor

**Integrated Control Systems Inc.**  
 1425 American Way, Cedar Hill, TX. 75104  
 Voice: (972) 291-6064  
 Fax: (972) 291-5975  
[WWW.INTCONSY.COM](http://WWW.INTCONSY.COM)

For more information, please visit our website at:

[WWW.INTCONSY.COM](http://WWW.INTCONSY.COM)

## Phoenix System LinkTag Upgrade

- Tired of replacing Durakey sockets and worn out mag cards? ICS has the solution! Introducing the new LinkTag system! LinkTags are the next-generation technology for identification devices. They operate by transmitting short-range magnetic pulses, so they have no batteries, contacts or magnetic strips to wear out. ICS has everything you need to upgrade your Phoenix system and eliminate the hassle of unreliable cards and keys.



Keyfob Style LinkTag



Card Style LinkTag



Phoenix System LinkTag Reader



Phoenix System LinkTag Programmer and Software

- **DURABLE** – LinkTags contain solid state digital circuitry and a short-range antenna sealed in a plastic housing. They are impervious to moisture, magnetism, impact, and outdoor temperatures.
- **RELIABLE** – LinkTags have an infinite number of read cycles. Since there are no contacts to wear out or batteries to die, they are more reliable than any previous technology!
- **REUSABLE** - LinkTags can be reprogrammed thousands of times and are guaranteed to retain the programmed data for 10 years.
- **CONVENIENT** – LinkTags are available in a keyfob style for use on a vehicle key ring, or card style for use as an employee badge or wallet card. Other styles are available for custom applications. ICS can also custom print the card style LinkTags with your company name and address for no extra charge.
- **SECURE** - LinkTags use encryption technology to keep the programmed data secure. Each tag is programmed by ICS with a secure key known only to ICS LinkTag reader and programmer modules.
- **SUPPORT** – The LinkTag system is fully supported and warranted by ICS. For more information, visit our website below or give us a call.

**Integrated Control Systems Inc.**  
1425 American Way, Cedar Hill, TX. 75104  
Voice: (972) 291-6064  
Fax: (972) 291-5975  
[WWW.INTCONSYS.COM](http://WWW.INTCONSYS.COM)

For more information, please visit our website at:

[WWW.INTCONSYS.COM](http://WWW.INTCONSYS.COM)



## ICS Phoenix 8000 / AFC Replacement Parts

- ICS stocks a wide range of replacement parts for the Phoenix fuel management systems. We also repair all circuit boards and components of the Phoenix 8000 fuel management system. ICS technicians have years of experience with this system, and can troubleshoot and repair them quickly. If you have a question about a Phoenix 8000 system repair, please give us a call.



### Phoenix 8000 or Phoenix AFC Durakey Receptacles (P8000-DKR)

- Don't discard broken receptacles! Keep the plastic housing.
- Replace the functional part for half the cost of a new receptacle.
- New custom made receptacle contacts are superior to the original.



### Phoenix 8000\* Card Readers (P8000-CR-B)

- ICS Has designed a replacement card reader module specifically for Phoenix 8000 or Phoenix AFC systems.
- This model has dual read heads for superior reliability.
- Reads cards on both insertion and removal for reliable operation.



### Mag Stripe Cards (P8000-CR80-A)

- Replacement CR80 style magnetic stripe cards.
- Cards can be programmed by ICS for no extra charge.
- Cards can be printed with 4 lines of customer information for no charge.



### Phoenix 8000 or Phoenix AFC Keypad Upgrade (P8000-KP1-A)

- Cast metal keys. Rugged polymer housing.
- Much more durable than the original membrane keypad.
- Simple drill and bolt-on installation!
- Kit includes all instructions and hardware required for upgrade.

For more information, please visit our website at:

**Integrated Control Systems Inc.**  
1425 American Way, Cedar Hill, TX. 75104  
Voice: (972) 291-6064  
Fax: (972) 291-5975  
[WWW.INTCONSYS.COM](http://WWW.INTCONSYS.COM)

[WWW.INTCONSYS.COM](http://WWW.INTCONSYS.COM)

## ICS Phoenix 8000 / AFC Replacement Parts (continued)



### Phoenix AFC Keypad Adapter Plate (PAFC-KP-PLT)

- This adapter plate allows the keypad above to be used with the Phoenix AFC system.
- Kit includes all instructions and hardware required for installation.



### Phoenix 8000 Replacement Display Module (P8000-LCD-A)

- Extended temperature 2 lines by 16 character backlit LCD module.
- Direct replacement for original Phoenix 8000 display.
- Kit includes all instructions and hardware required for replacement.



### Phoenix 8000 Replacement Journal Printer (P8000-LX300-N)

- Epson dot matrix printer programmed and modified for use with the Phoenix 8000 or Phoenix AFC system.
- Direct replacement for original Phoenix journal printer.
- Kit includes all instructions and hardware required for replacement.

**Integrated Control Systems Inc.**  
1425 American Way, Cedar Hill, TX. 75104  
Voice: (972) 291-6064  
Fax: (972) 291-5975  
[WWW.INTCONSYS.COM](http://WWW.INTCONSYS.COM)

For more information, please visit our website at:

[WWW.INTCONSYS.COM](http://WWW.INTCONSYS.COM)

## ICS Phoenix 8000 Repairs

- ICS has a full repair facility with test fixtures for the Phoenix 8000 system. We can repair all circuit boards and components. ICS technicians have years of experience with this system, and can troubleshoot and repair them quickly. If you have a question about a Phoenix 8000 system repair, please give us a call.



### Phoenix 8000 CPU Board Repair



### Phoenix 8000 Pump Control Board Repair



### Phoenix 8000 ICB Board Repair (Any number of hoses)



### Phoenix 8000 TCI Repair

#### **Integrated Control Systems Inc.**

1425 American Way, Cedar Hill, TX. 75104

Voice: (972) 291-6064

Fax: (972) 291-5975

[WWW.INTCONSYS.COM](http://WWW.INTCONSYS.COM)

For more information, please visit our website at:

[WWW.INTCONSYS.COM](http://WWW.INTCONSYS.COM)

## ICS Phoenix AFC Repairs

- ICS can repair most components of the Phoenix AFC system. If you have a problem with a Phoenix AFC system, give us a call!



### Phoenix AFC CPU Repair

(We can repair Rev. E2 or earlier)



### Phoenix AFC ICB Repair

(We can repair Rev. F or earlier)



### Phoenix AFC Power Supply Repair

(We can repair Rev. D or earlier)



### Phoenix AFC Printer/PC Adapter Repair

**Integrated Control Systems Inc.**  
1425 American Way, Cedar Hill, TX. 75104  
Voice: (972) 291-6064  
Fax: (972) 291-5975  
[WWW.INTCONSYS.COM](http://WWW.INTCONSYS.COM)

For more information, please visit our website at:

[WWW.INTCONSYS.COM](http://WWW.INTCONSYS.COM)

## ICS Phoenix System Module Repairs

- ICS can repair Phoenix system modules for much less than the cost of replacement.



### Phoenix 8000 or AFC Card Reader Repair



### Phoenix 8000 Journal Printer Repair (Refurbished unit)

(Journal printers are refurbished. ICS Can ship refurbished printers when a printer core is received.)

#### **Integrated Control Systems Inc.**

1425 American Way, Cedar Hill, TX. 75104

Voice: (972) 291-6064

Fax: (972) 291-5975

[WWW.INTCONSYS.COM](http://WWW.INTCONSYS.COM)

For more information, please visit our website at:

[WWW.INTCONSYS.COM](http://WWW.INTCONSYS.COM)



**Integrated  
Control  
Systems**

## **PRODUCT WARRANTY**

Integrated Control Systems, hereafter referred to as ICS, warrants to Purchaser that Products are free from defects in material and workmanship for two (2) years after shipment. This warranty is conditioned upon proper storage, installation, connection, and operation of Products, prompt written notice to ICS of any defects, and, if required, prompt availability of Products to ICS for correction. Causes of failure which are not covered include, but are not limited to; acts of god (lightning, flooding, etc.) and customer abuse.

This warranty shall be void in its entirety if Purchaser modifies Products, without ICS advance written consent to and subsequent approval of any such modifications. If any Product fails to conform to this warranty, Purchaser properly notifies ICS of such failure, and Purchaser returns the Product to the ICS factory for diagnosis (and pays all expenses for such return), ICS shall correct any such failure by, at its sole discretion, either repairing any defective or damaged Product part(s) or making available any necessary replacement part(s). Any Product repaired by ICS shall be covered by this warranty for the remainder of the original two (2) year warranty period.

This warranty shall be exclusive and in lieu of all other warranties, whether statutory, express, oral or implied (including warranties of merchantability and fitness for particular purpose and warranties arising from course of dealing or usage of trade), except title and patent infringement. ICS does not warrant products or prototypes provided by ICS for testing or marketing purposes. ICS does not warrant non-ICS products or services.

**Integrated Control Systems Inc.**

1425 American Way, Cedar Hill, TX. 75104

Voice: (972) 291-6064

Fax: (972) 291-5975

[WWW.INTCONSYS.COM](http://WWW.INTCONSYS.COM)